

Sensopress - Tank level Controller

DIN rail mounted level control using a submerged pressure sensor

- DIN Rail Mounted
- Measures Level by Pressure Sensing
- LCD Showing Current Parameters
- Change all Level Settings from the Control Panel
- Available with 1 or 4 Outputs
- Suitable for use in Clean Water or Liquid Food Products



LCD shows the current system state.

All operating parameters are easily set via the intuitive menu.



How Does It Work?

Mac3 Sensopress is a programmable, DIN rail mounted level controller and is ideal for integration with OEM and panel built products.

Sensopress measures the level of liquid in a tank or reservoir using a high accurate pressure sensor which detects the weight of fluid above it. Pumps and valves can be controlled to fill, empty or maintain levels by *Sensopress* based on the reading of a single sensor with no mechanical movement.

Sensopress avoids the need for technicians to accurately set floats or sensors at various heights within the tank in order to operate pumps and valves at the right levels. All levels and functions can be precisely set from the control panel.

The sensor (supplied separately) is suitable for clean water and liquid food products. However, *Sensopress* can function with any liquid using either an alternative probe and can be manually calibrated to accept probes of different ranges.

Sensopress is available in single channel and multi-channel models. The single channel model is supplied with a single output for controlling one external appliance, whereas the multi-channel is supplied with 4 outputs.

Each output channel operates independently and may overlap in range.



The sensor (supplied separately) can be submerged directly or mounted into a threaded port

Sensopress - Tank level Controller

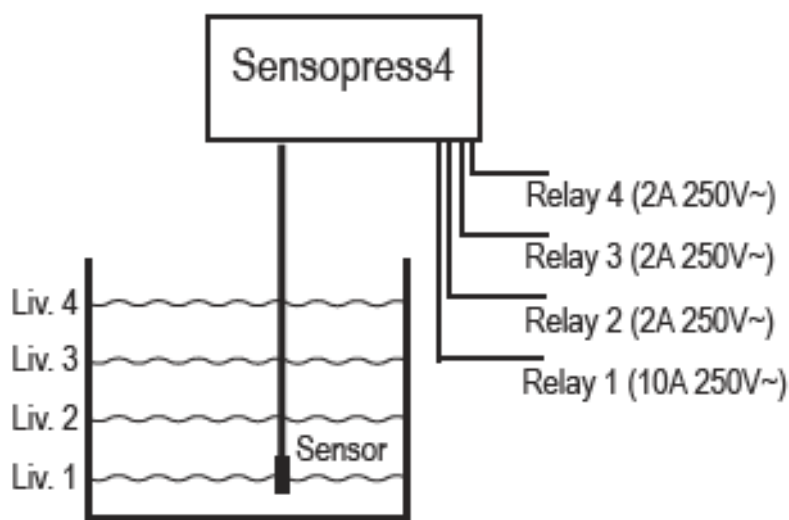
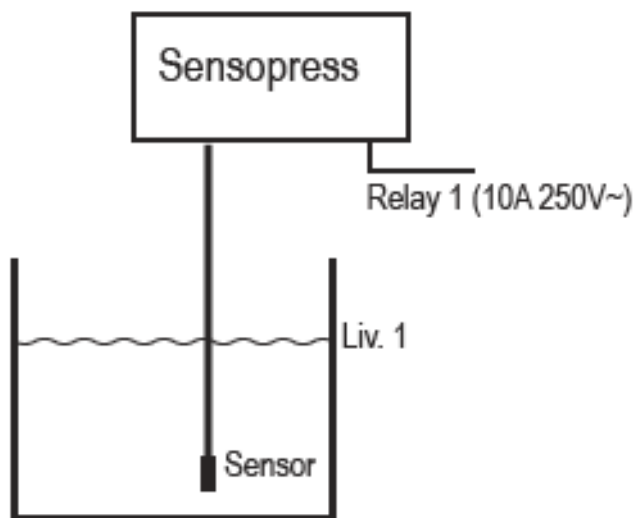
DIN rail mounted level control using a submerged pressure sensor

Technical Specifications				
Physical				
	TSL00Y0100	TSL00Y0400	TSL00X0100	TSL00X0400
Material - Body	Noryl (PPO) UL94 V0			
Weight	450g			
Dimensions	105x90x73 mm			
Mounting	DIN Rail (EN50022)			
Ingress Protection	IP20			
Operating Temperature	0°C – +50°C			
Storage Temperature	-10°C – +60°C			
Electrical				
Supply Voltage	230Vac 50-60Hz		117Vac 50 – 60Hz	
Power Consumption	5.5VA			
Monitoring Range	0 – 9m H ₂ O			
Accuracy Of Measurement	±1%FS			
Resolution	1 cm H ₂ O			
Minimum Differential Obtainable	2cm H ₂ O			
Output Relays	1 Relay, 10A 250Vac	4 Relays, 1 Relay, 10A 250Vac 3 Relays, 2A 250Vac	1 Relay, 10A 250Vac	4 Relays, 1 Relay, 10A 250Vac 3 Relays, 2A 250Vac

Technical Specifications	
Preferred Pressure Probe For Sensopress (supplied separately)	
Material - Body	Brass
Probe Type	Ceramic Capsule Piezoresistive, Calibrated and Temperature Compensated
Weight	840g
Dimensions	35x76 mm
Operating Temperature	-0°C – +50°C
Cable Type	PVC (2 Wire + Compensation Tube)
Cable Length	20 m
Installation Type	Inside / Outside Water Tank
Measuring Range	0 – 9 m H ₂ O
Maximum Overpressure	20 m H ₂ O
Power Supply	15 – 30 V 20mA max. (Supplied From Sensopress Unit)
Output	4 – 20 mA, Rt=250Ω Max.
Long Term Stability	± 0.3%f.s. /Year @25°C
Thermal Shift Of Zero	± 0.02%f.s: /°C
Thermal Shift Of Span	± 0.01%f.s: /°C
Note: The sensor can be used in every kind of water within the range of pH 5 – 9. For use with different liquids, please contact the factory.	

Sensopress - Tank level Controller

DIN rail mounted level control using a submerged pressure sensor



3P Technik UK Limited
Unit 9 Parc Teifi
Cardigan
SA43 1EW

Phone : 01239 623506
Fax : 0845 544 3150

sales@3ptechnik.co.uk

www.3ptechnik.co.uk
www.mac3uk.com

