

Quadri CosPhi - Electronic Pump Control Panel

General purpose pump control and protection with CosPhi motor protection

- **Automatic or Manual Operation**
- **Float or Pressure Switch Input**
- **No Need for a Level Probe**
- **Thermal Overload Protection**
- **Over/Under Voltage Protection**
- **Adjustable Settings**
- **LCD Display**
- **High Quality Electronics**
- **Durable ABS Construction**
- **CosPhi Motor Protection**
- **IP55 Rated**

How Does It Work?

Mac3 Quadri CosPhi is a general purpose pump control and protection panel with direct on-line (DOL) starting and designed for use with a submersible single or three phase pump. This unit utilizes self-learning *CosPhi* monitoring for dry-run protection to protect the pump, along with adjustable current protection. This allows **Quadri CosPhi** to be used in areas where a float switch cannot be reliably deployed, such as deep wells. There is no requirement for level probes.

Quadri CosPhi can be used with a float switch for drainage and tank filling applications, or with a pressure switch for direct pressure systems. The input is provided for float/pressure switches which activate the pump when required.

If there is a fault, the pump will be shut off and an error displayed.



The backlit LCD, displays all relevant information, including

- The operational status of the motor
- Hours run
- Error messages
- Defined parameters of operation

Quadri CosPhi can function either in an automatic or manual configuration.

Manual configuration allows the user to pre-set the following operating parameters

- Wait filling time
- Motor start delay duration
- Maximum motor current (over-current protection)
- Minimum and maximum operating voltage

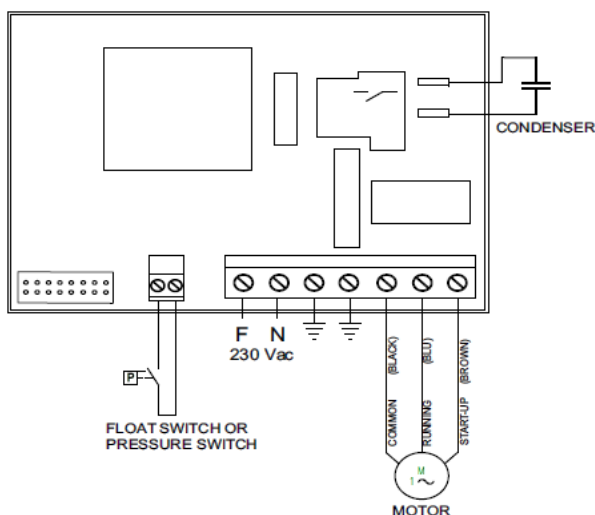
Automatic operation simply tests the connected hardware, self-determines the correct input / output levels and operates within them.

Quadri CosPhi - Electronic Pump Control Panel

General purpose pump control and protection with CosPhi motor protection

Technical Specifications

Physical		
	Single Phase	Three Phase
Width	285 mm	
Length	345 mm	
Height	165 mm	
Weight	2.5 Kg	2.9 Kg
Material - Body	ABS	
Electrical		
Power Supply	230Vac ($\pm 20\%$) 50 - 60Hz Single Phase	380Vac ($\pm 10\%$) 50 - 60Hz Three Phase
Current Range	2 – 18 A	0.8 – 14 A
Pump Protection	CosPhi Ammetric (Adjustable For Each Pump Connected)	
Power Of Pump	0.37kW – 2.24kW (0.5 hp – 3 hp)	0.37kW – 6.5kW (0.5 hp – 9 hp)
Display	LCD Monochrome	
Backlight	Green	
Displayed Information	Voltmeter, Ammeter, Hour Counter, Alarm Pump Operation Information, CosPhi State of Pump.	
Keypad	Membrane	
Fault detection	Yes	
Inputs	Float Switch / Pressure switch	
Outputs	Alarm Output Relay	
Environmental		
Ingress Protection Rating	IP55	
Storage Temperature	-5 – 40°C	
Operating Temperature	-20 – 80°C	



3P Technik UK Limited
Unit 9 Parc Teifi
Cardigan
SA43 1EW

Phone : 01239 623506

Fax : 0845 544 3150

sales@3ptechnik.co.uk

www.3ptechnik.co.uk

www.mac3uk.com

