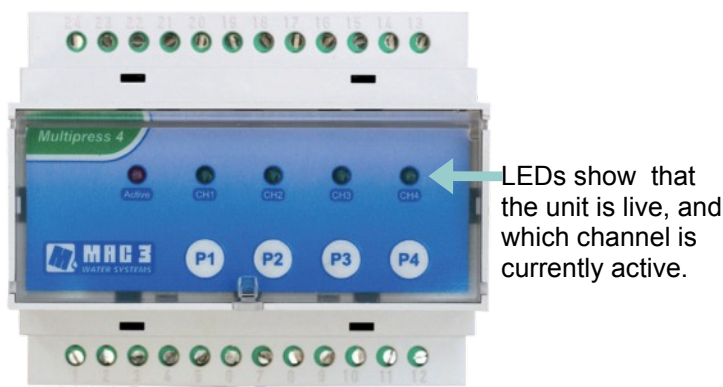


Multipress - HydroController Irrigation Input Expansion

A DIN rail irrigation input expansion module unit for Hydrocontroller Advanced inverters

- **DIN Rail Mounted**
- **Designed for use with the Mac3 HydroController (Adv Version)**
- **For use in Irrigation Systems**
- **Supports Inputs up to 16 Solenoid Valves in 4 Channels**
- **Used to Supply Specific Pressures to 4 Zones of an Irrigation System**
- **24VAC Inputs**



How it works

Mac3 MultiPress is a *DIN* rail mounted expansion unit for use with irrigation systems. **MultiPress** is designed for use with **Mac3 HydroController Advanced** inverters (*variable speed drives*) which support up to 4 x 24VAC channels from an irrigation system.

The 4 irrigation channels on a HydroController, when activated, will each select a pressure preset by the operator allowing the pressure of the pump system to be varied to suit the zone currently being irrigated.

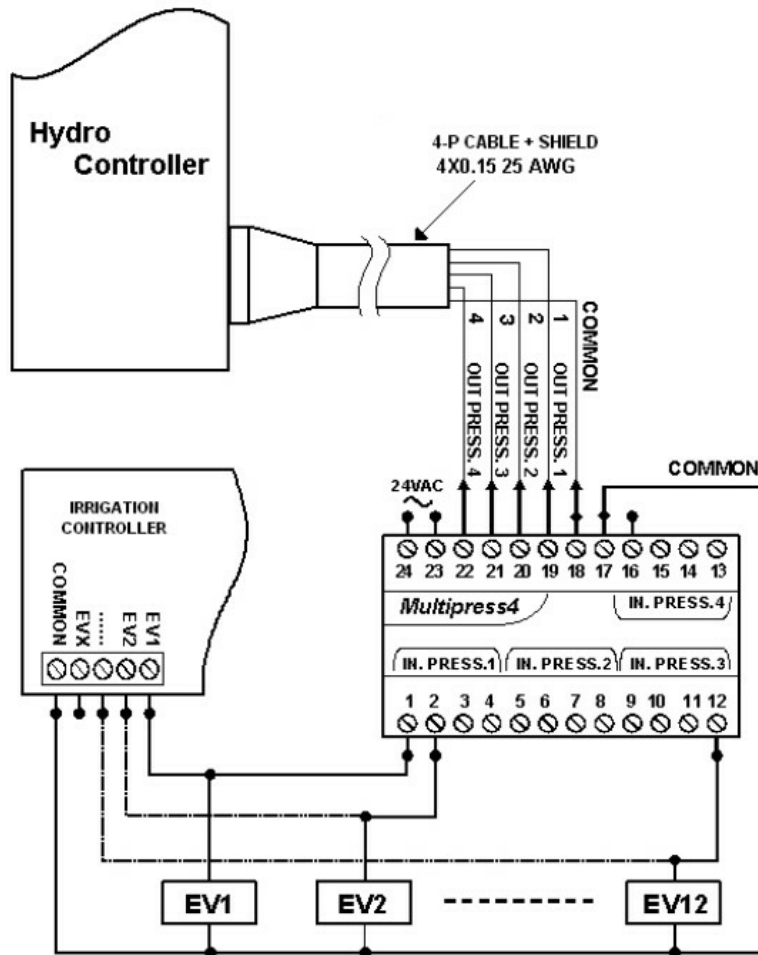
When connected between a **HydroController** and an irrigation controller, **MultiPress** expands the number of inputs available to 16 inputs operating in 4 groups of 4 channels, so each input channel to the Hydrocontroller can now be triggered by any of 4 irrigation solenoids, while still keeping those 4 solenoids isolated from each other. In this manner up to 4 different pump pressures can now be used by up to 16 irrigation zones. Each input can be driven directly from a 24VAC signal (most commercial irrigation systems).

Technical Specifications

Technical Specifications	
Physical	
Material	PPO UL94 V0
Weight	260g
Dimensions	105x90x73mm
Mounting	On DIN Rail
Ingress Protection	IP20
Storage Temperature	0 – +50°C
Operating Temperature	0 – +50°C
Electrical	
Supply Voltage	24Vac 50 - 60Hz
Power Consumption	1VA
Number Of Pressure Selection Channels	4
Number Of Solenoid Valve Inputs	16 (4 solenoid valves per channel)
Maximum Current Draw Per Input	50mA Max.

Multipress - HydroController Irrigation Input Expansion

A DIN rail irrigation input expansion module unit for Hydrocontroller Advanced inverters



3P Technik UK Limited
Unit 9 Parc Teifi
Cardigan
SA43 1EW

Phone : 01239 623506
Fax : 0845 544 3150

sales@3ptechnik.co.uk

www.3ptechnik.co.uk
www.mac3uk.com

