

Electroprobe DB - DIN rail mounted level controller

Conductivity probe level controller with external alarm relay

- DIN Rail Mounted (4DIN, 76mm)
- Ideal for OEM Integration or Control Panel Building
- Uses Conductivity Probes with No Moving Parts
- Fill or Drain between 2 Probe Points + High and Low Level Alarm Points + Single on/off Probe Point for Inhibit/Enable of Additional Connected Devices
- External Alarm Relay
- Non-voltage Relay Outputs Rated 250VAC 5A(AC1) 2A(AC3)



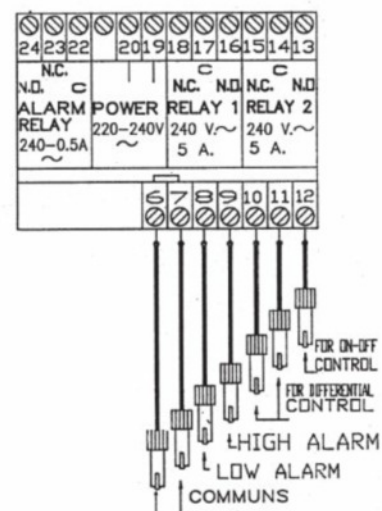
LED alarm and status indicators with audible sounder



How Does It Work?

Mac3 *Electroprobe DB* is a multifunctional level controller with 4 functions:

- **Differential Fill/Drain Function**, activates a relay output to maintain the level between two probes set at different heights. The relay only changes state when either the upper probe becomes immersed or the lower probe becomes dry, allowing the water level to move between but not exceed the area between the two level probes.
- **High Level Alarm** - Activates the alarm relay when a probe is immersed
- **Low Level Alarm** - Activates the alarm relay when a probe becomes dry.
- **Single Point Control** - Switches a 2nd control relay when a probe is immersed or dry. This can be used to inhibit/enable the device attached to the differential relay, or to enable an additional device.



All functions can operate at the same time using up to 7 probes and are independent of each other in operation.

Electroprobe DB is available for various supply voltages: 24DC, 110V and 220V AC.

Electroprobe DB - DIN rail mounted level controller

Conductivity probe level controller with external alarm relay

Technical Specifications	
Physical	
Material	Noryl (PPO) UL94 V0
Weight	320g
Dimensions	90x72x60mm
Mounting	EN50022 DIN Rail
Ingress Protection	IP20
Electrical	
Power Supply	230Vac 50 - 60Hz
Power Consumption	10 VA Max.
Inter Electrode Voltage	12 Vac
Output Characteristics	250V 5(2)A
Dielectric Strength	2 KV
Operating Resistance	0 – 20K Ω
Release Resistance	> 20 K Ω
Response Time	100ms
Contact Rating Alarm Relay	AC1 0.5A, 250V Resistive
Operating Temperature	-10°C – +50°C
Storage Temperature	-20°C – +80°C
Maximum Length Of Probe Cables	20 m

**3P Technik UK Limited
Unit 9 Parc Teifi
Cardigan
SA43 1EW**

**Phone : 01239 623506
Fax : 0845 544 3150**

sales@3ptechnik.co.uk

**www.3ptechnik.co.uk
www.mac3uk.com**

